

MST

MAX SPEED TECHNOLOGY

2019-01



MAIN FEATURES

- WHEELBASE : 242 / 252 / 267 / 275mm [adjustable]
- WIDTH : 195mm
- GEAR RATIO = 1:31.7 ~ 1:46.7
- TIRE WIDTH / DIAMETER : 30x90mm
- Shaft-Driven Full-Time 4WD
- Front and Rear Solid-axle
- Pinion Gear Included



CFX 1/10 4WD KIT

532148 KIT	532156 FJ
532150 Bronco	532165 C-10
532152 LC40	532169 J3
532154 Unimog 406	



J3
WHEELBASE : 242mm



C-10
WHEELBASE : 275mm



BRONCO
WHEELBASE : 242mm



LC40
WHEELBASE : 252mm



FJ
WHEELBASE : 267mm



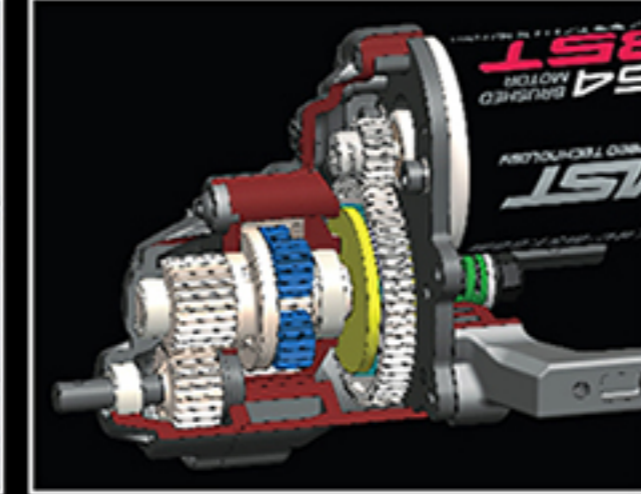
UNIMOG 406
WHEELBASE : 242mm



HEAVY DUTY CVA FRONT SHAFT



ALL METAL TRANSMISSION GEAR SET



PLANETARY GEARBOX & DUAL SLIPPER CLUTCH



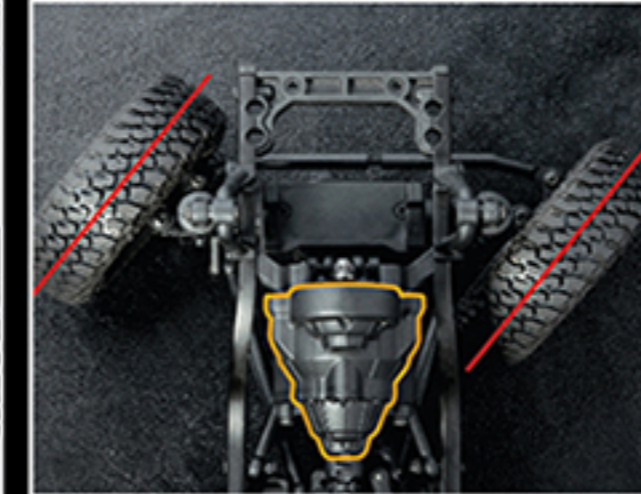
REALISTIC STEEL C-CANNEL FRAME



OIL DAMPERS



4-LINK SUSPENSION



REALISTIC FRONT MOTOR POSITION & GREAT STEERING ANGLE



1.9" WHEEL & REALISTIC SCALE TIRE

MST

MAX SPEED TECHNOLOGY

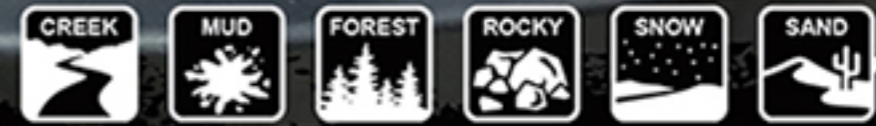


ASSEMBLY KIT

MAIN FEATURES

- WHEELBASE : 242 / 252 / 267 / 275mm [adjustable]
- WIDTH : 195mm
- GEAR RATIO = 1:19 ~ 1:42.6
- TIRE WIDTH / DIAMETER : 30x90mm
- Shaft-Driven Full-Time 4WD
- Front and Rear Solid-axle
- Pinion Gear Included

4X4
OFF ROAD



1/10 RC 4WD HIGH PERFORMANCE OFF ROAD CAR KIT

KIT CMX 1/10 4WD KIT

KIT

532144 KIT	532179 TOYOTA FJ
532176 FORD Bronco	532180 C-10
532177 TOYOTA LC40	532181 J3
532178 M-BENZ Unimog 406	

RTR

CMX 1/10 4WD RTR

531505GR C-10 (gray)	531506B J3 (blue)
531505O C-10 (orange)	531506FY J3 (flat yellow)
531505R C-10 (red)	531506O J3 (orange)
	531506S J3 (silver)



J3
WHEELBASE : 242mm



C-10
WHEELBASE : 275mm



BRONCO
WHEELBASE : 242mm



LC40
WHEELBASE : 252mm



FJ
WHEELBASE : 267mm



UNIMOG 406
WHEELBASE : 242mm



HEAVY DUTY CVA FRONT SHAFT



GOOD EFFICIENT TRANSMISSION GEAR SET



TRANSMISSION DUST COVER



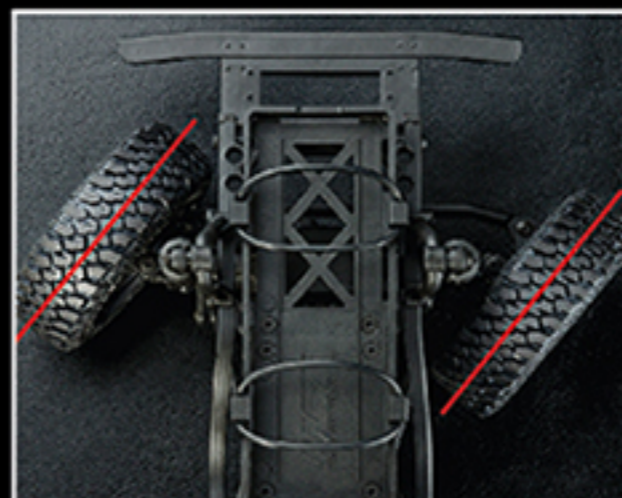
REALISTIC STEEL C-CHANNEL FRAME



OIL DAMPERS



4-LINK SUSPENSION



GREAT STEERING ANGLE

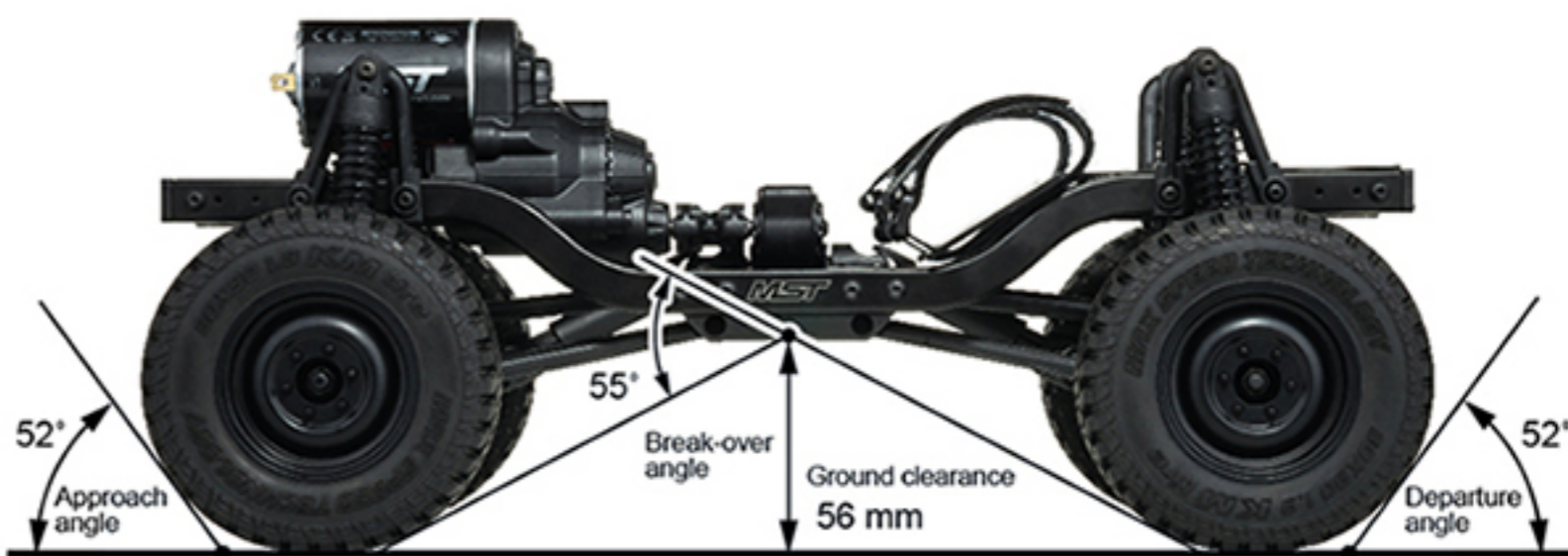


1.9" WHEEL & REALISTIC SCALE TIRE

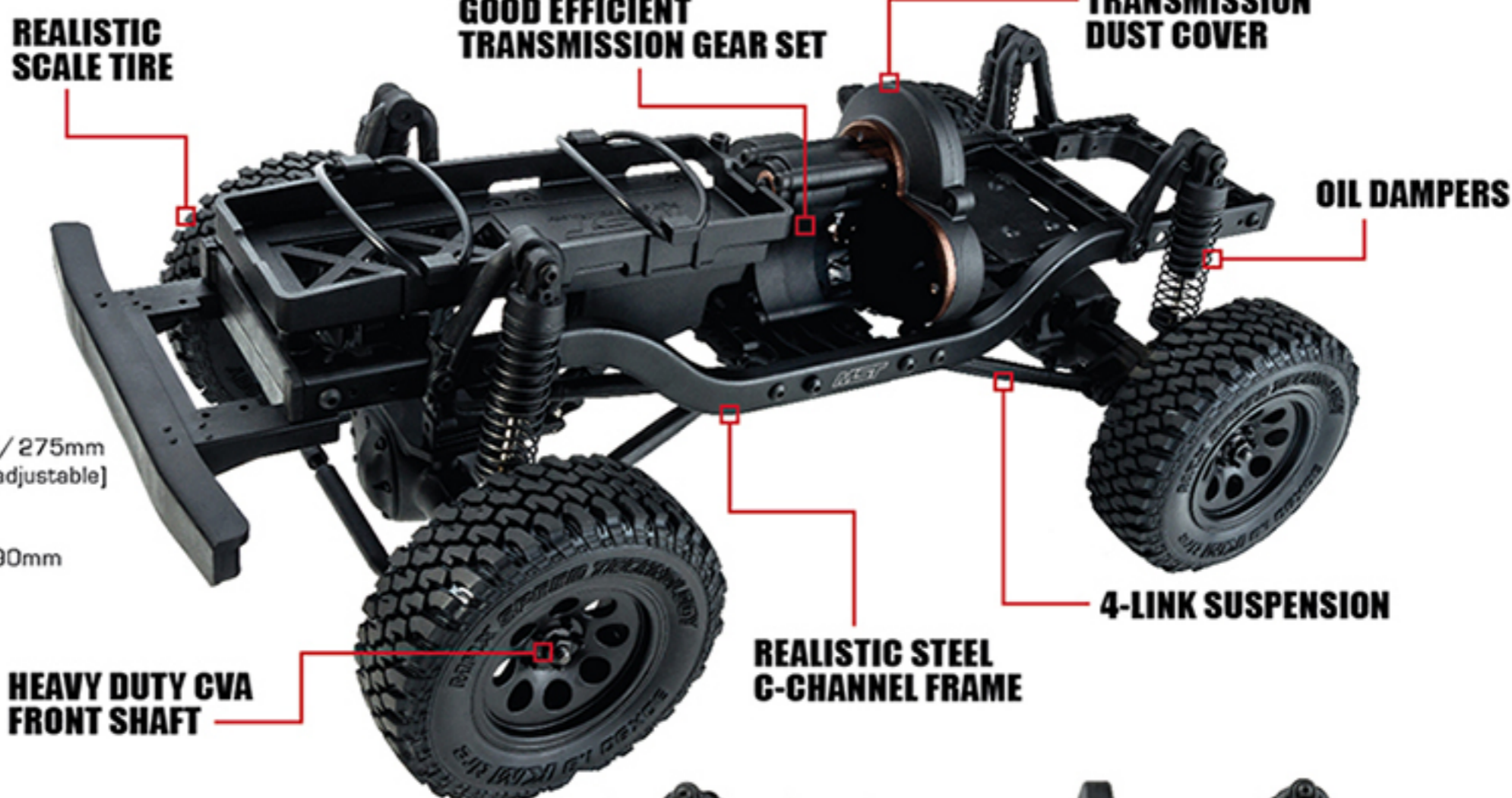
- WHEELBASE : 242 / 252 / 267 / 275mm [adjustable]
- WIDTH : 195mm
- GEAR RATIO = 1:31.7 ~ 1:46.7
- TIRE WIDTH / DIAMETER : 30x90mm
- Shaft-Driven Full-Time 4WD
- Front and Rear Solid-axle
- Pinion Gear Included



CFX is a high performance crawler comes with the realistic chassis. It is 1:10 scale and applicable to the general ABS realistic body shells. It has the great steering angle and the extreme smallest radius of gyration. The planetary-gear box transmission set for the bigger deceleration ratio is greater refined than usual transmission structures. The front motor structure as real car keeps the space for personal preferring interior settings. The steering servo at the vehicle axle helps to control the precise steering. The damper oil consistence and the spring stiffness of the great hydraulic shock absorbers are adjustable for the best movements to the different car weights and terrains. CFX is the best choice which lets you have the best user experience.



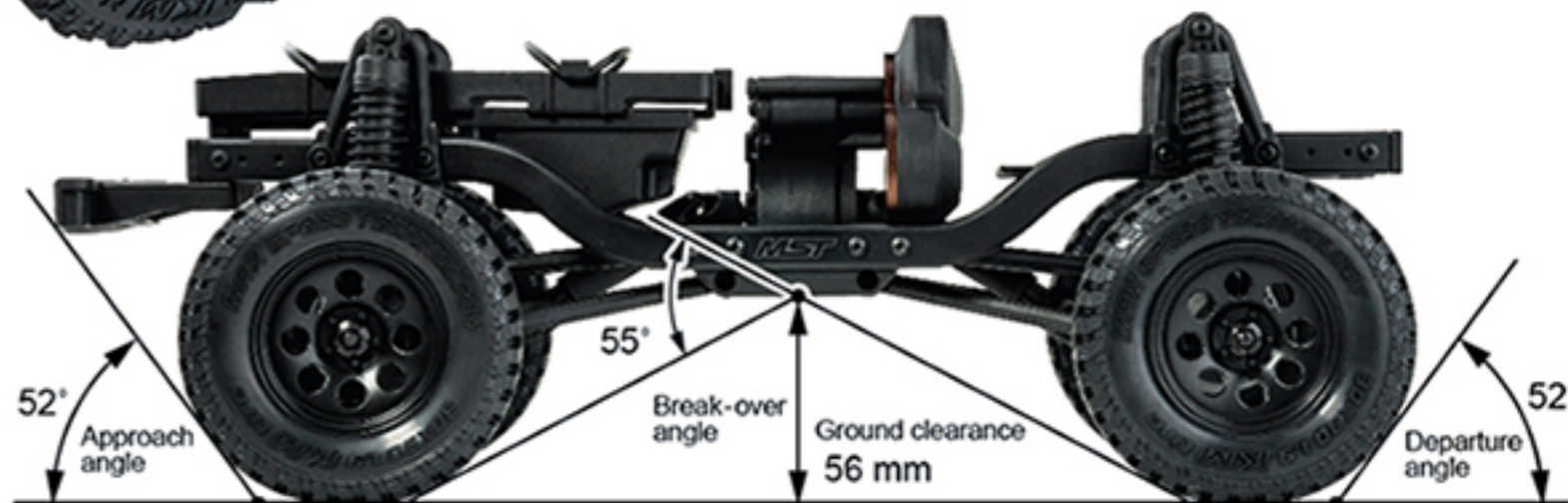
CFX
CMX



- WHEELBASE : 242 / 252 / 267 / 275mm [adjustable]
- WIDTH : 195mm
- GEAR RATIO = 1:19 ~ 1:42.6
- TIRE WIDTH / DIAMETER : 30x90mm
- Shaft-Driven Full-Time 4WD
- Front and Rear Solid-axle
- Pinion Gear Included



CMX is a high performance crawler with efficient 4WD system. It has the max steering angle and wheel height difference for retaining the best handling to cope with any rough terrain. The suspension system is come with hydraulic damper and four-link suspension structure. It shows excellent exploring to harsh pavement. The design to gravity of clamped battery makes it having the great climb ability. The CMX with performance and entertain is your first choice to enjoy the leisure RC !



MST

MAX SPEED TECHNOLOGY

**4X4
OFF ROAD**



ASSEMBLY KIT



CFX-W 4WD KIT

532166 KIT
532173 w/o ESC&motor, JP1



JP1
WHEELBASE : 313mm



CFX-W OFF ROAD KIT

RC 4WD HIGH PERFORMANCE OFF ROAD CAR KIT

MAIN FEATURES

- FRONT AND REAR MPA PORTAL AXLE
- TC80 ALUM. SHOCKS SET
- PLANETARY GEARBOX & DUAL SLIPPER CLUTCH
- ALL METAL TRANSMISSION GEAR SET
- 1.9" WHEEL & REALISTIC SCALE TIRE
- ALUM. 4-LINK SUSPENSION
- FULL BALL BEARINGS
- HEAVY DUTY CVD SHAFT
- REALISTIC STEEL C-CHANNEL FRAME
- GREAT STEERING ANGLE
- GEAR RATIO : 1:36.3~1:53.4
- TIRE WIDTH/DIAMETER : 40X120mm

CFX-W is a high performance crawler comes with the realistic deck. The full bearings and metal gears greatly improve the drive chain smoothness and durability. The whole new **MPA** vehicle axle, small bevel gear, portal-axle and greater steering angle, let the vehicle has the extreme exploring performance and smallest radius of gyration. The transmission set of planetary-gear box is for the bigger deceleration ratio. And the operation is greater refined than usual transmission structures. The front motor structure as real car keeps the space for personal preferring interior settings. The steering servo at the vehicle axle helps for precise steering controls. The damper oil consistence and spring stiffness of the great hydraulic shock absorbers are adjustable for the best movements to the different car weights and terrains. **CFX-W** is the best choice which makes you have the best user experience.

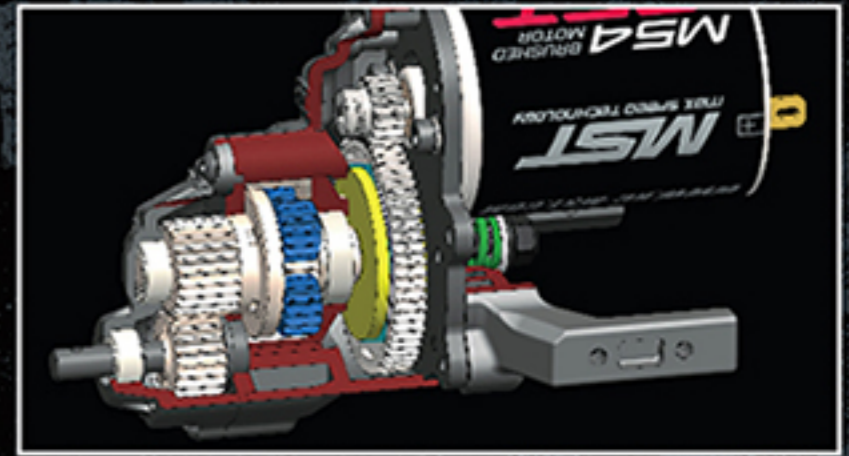
WWW.RC-MST.COM



HEAVY DUTY CVD FRONT SHAFT



ALL METAL TRANSMISSION GEAR SET



PLANETARY GEARBOX & DUAL SLIPPER CLUTCH



REALISTIC STEEL C-CHANNEL FRAME



TC80 ALUM. SHOCKS SET



ALUM. 4-LINK SUSPENSION



REALISTIC FRONT MOTOR POSITION & GREAT STEERING ANGLE



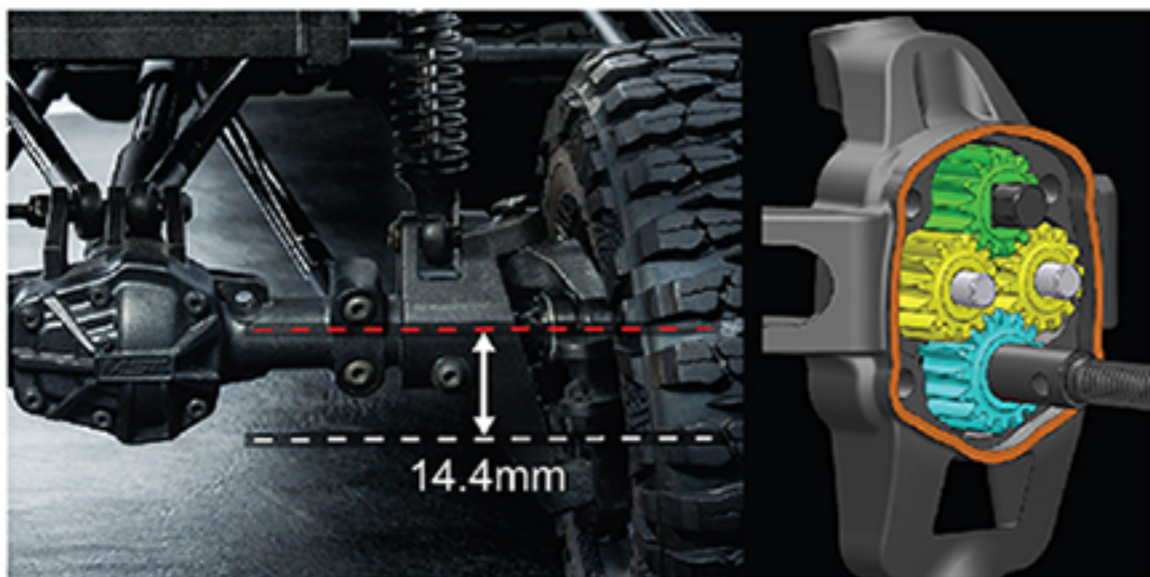
1.9" WHEEL & REALISTIC SCALE TIRE



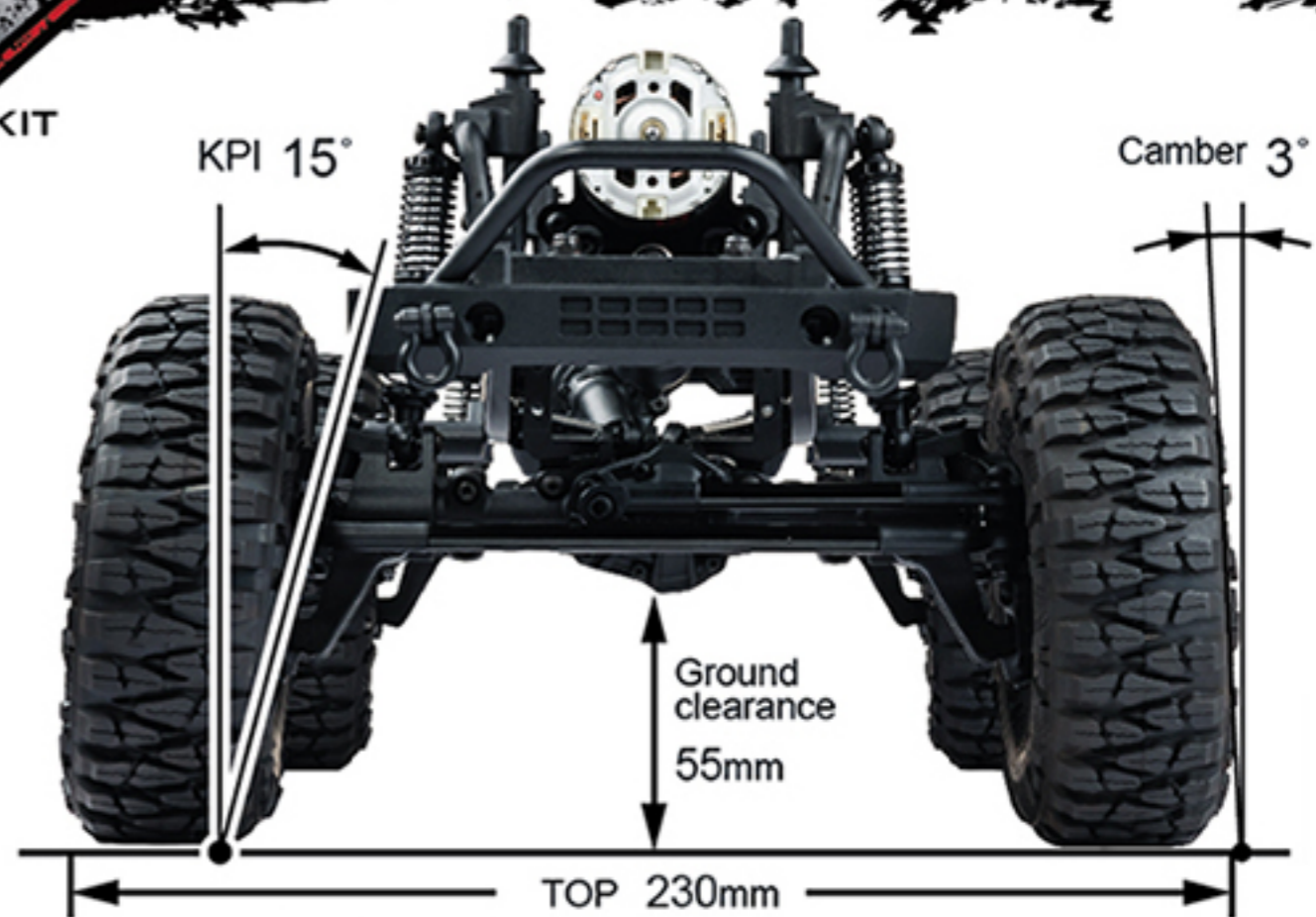
BALL BEARINGS SET

OFF ROAD X-TRAW

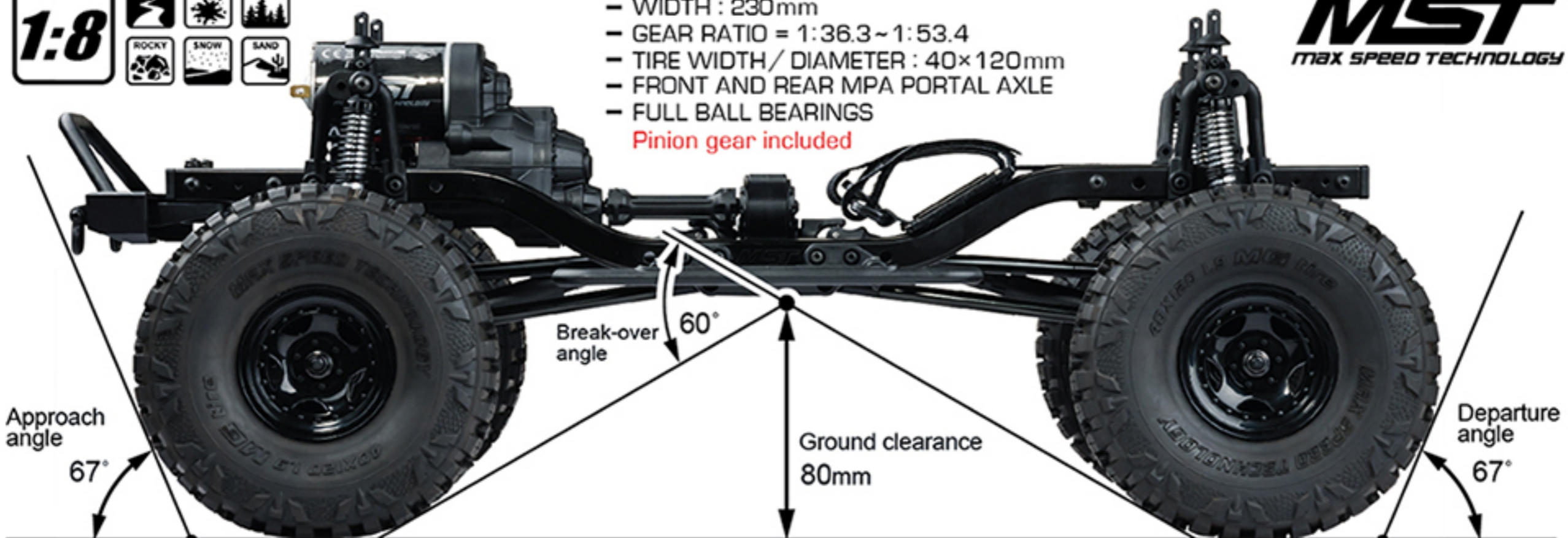
1/8 RC 4WD OFF ROAD CAR KIT



MPA PORTAL AXLE



- WHEELBASE : 300 / 313mm
- WIDTH : 230mm
- GEAR RATIO = 1:36.3 ~ 1:53.4
- TIRE WIDTH / DIAMETER : 40x120mm
- FRONT AND REAR MPA PORTAL AXLE
- FULL BALL BEARINGS
- Pinion gear included



OPTION PARTS

改装品

210536BK 



CMX Alum. link set (242mm) (black)
CMX 鋁合金拉桿組 (242mm) (黑)

210537BN 



CMX Alum. link set (252mm) (black)
CMX 鋁合金拉桿組 (252mm) (黑)

210538S 



CMX Alum. link set (267mm) (black)
CMX 鋁合金拉桿組 (267mm) (黑)

210555



CMX CVD universal shaft set
CMX CVD傳動軸組

210550BK



CMX Alum. link mount (black)
CMX 鋁合金上拉桿座 (黑)

210551BK



CMX Alum. servo mount (black)
CMX 鋁合金伺服固定座 (黑)

210413BK 



Alum. servo mount (black)
鋁合金伺服機座 (黑)

210533



Ball connector 5.8 (10)
金屬球頭組 5.8 (10)

210556




CMX STL skid plate
CMX STL 底盤護板

210545



Steel gear holder
鋼製輸出齒座

210230BK 



XXX Alum. spur gear holder (black)
XXX 鋁合金大齒盤座 (黑)

210461BK 



RMX Alum. spur gear cover (black)
RMX 鋁合金齒盤壓板 (黑)

210564



CMX Metal center gear set
CMX 鋼製驅動齒組

210532



CMX Bearing set
CMX 全車培林組

210567



CFX Bearing set
CFX 全車培林組

CMX | CFX

WHEELBASE	FRONT DRIVESHAFT	REAR DRIVESHAFT
242 mm	210534	210534
252 mm	210534	210534 210535
267 mm	210534	210535
275 mm	210534	210569

CFX-W

WHEELBASE	FRONT DRIVESHAFT	REAR DRIVESHAFT
300 mm	210569	210569
313 mm	210569	210574

210574



CFX-W Steel drive shaft set 118-141mm
CFX-W 鋼製傳動軸組 118-141mm

210569



CFX-W Steel drive shaft set 99-119mm
CFX-W 鋼製傳動軸組 99-119mm

210535



CMX Steel drive shaft set 83-106mm
CMX 鋼製傳動軸組 83-106mm

210534



CMX Steel drive shaft set 73-96mm
CMX 鋼製傳動軸組 73-96mm

TOP CHOICE

極致精選

UPGRADE OPTIONS 改装零件
Full option parts let players to upgrade car according to their necessary and enjoy the fun in upgrading.
豐富完整的升級零件，讓玩家充分享受改装及升級的樂趣。

210573



MSA Front & Rear axle set
MSA 前後車軸組

210568



MPA Axle set
MPA 車軸組

210572




CMX Front motor kit
CMX 前置馬達套件

210143



Alum. wheel hubs 6mm
(brake disc shaped)
鋁合金六角輪座 6mm (煞車碟型)

820122BK 

Alum. hex. wheel hubs 6mm
(black) (4)
鋁合金六角輪座 6mm (黑) (4)

820092



Upright weight 10g
輪座配重塊 10g

820088



MST Balancing weights 30g (4)
MST 配重塊 30g (4)

210566BK




CMX/CFX Alum. Steering link
(black)
CMX/CFX 鋁合金轉向拉桿 (黑)

CMX

is applicable to CMX
適用 CMX

820073BK 

Alum. motor heat sink spacer
3mm (black)
鋁合金馬達散熱墊片 3mm (黑)

820069BK 

Alum. 4 wires clamps (black)
4線鋁合金集線器 (黑)

148017~148038



MST 48P Pinion gear 17T~38T
MST 48P 馬達齒 17T~38T

106017~106025




MST M06 Pinion 17T~25T
MST M06 馬達齒 17T~25T

CFX

is applicable to CFX
適用 CFX

CFX-W

is applicable to CFX-W
適用 CFX-W

820100BK 

Alum. motor heat sink (black)
鋁合金馬達散熱片 (黑)

601010



M54-26T brushed motor
M54-26T 碳刷馬達

601019



M54-30T brushed motor
M54-30T 碳刷馬達

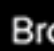
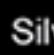

601014



M54-35T brushed motor
M54-35T 碳刷馬達

UNIVERSAL

UNIVERSAL PARTS
通用品

BN  Brown 棕S  Silver 銀BK  Black 黑

210570



CFX Steel drive shaft
CFX 鋼製驅動軸

210571



CFX-W Steel drive shaft
CFX-W 鋼製驅動軸

820130S



TC80 Alum. damper set (silver) (4)
TC80 鋁合金避震器組 (銀) (4)

820116BK



TC70 Alum. damper set (black) (4)
TC70 鋁合金避震器組 (黑) (4)

210531



Coil spring 45mm (soft)(red)(4)
避震彈簧 45mm (軟)(紅)(4)

210530



Coil spring 45mm (medium)
(gold)(4)
避震彈簧 45mm (中)(金)(4)

210529



Coil spring 45mm (hard)(silver)
(4)
避震彈簧 45mm (硬)(銀)(4)

101037



MG Crawler tire 40X120-1.9" (2)
MG 攀岩胎 40X120-1.9" (2)

101036



KM Crawler tire 30X90-1.9"
(soft-30") (2)
KM 攀岩胎 30X90-1.9" (軟-30") (2)

101034



KM Crawler tire 30X90-1.9"
(medium-40") (2)
KM 攀岩胎 30X90-1.9" (中-40") (2)

230043BK



Black 648 1.9" wheel (+5)
(4)
黑色 648 1.9" 輪框 (+5) (4)

230043FS



Flat silver 648 1.9" wheel (+5)
(4)
消光銀 648 1.9" 輪框 (+5) (4)

230043SBK



Silver black 648 1.9" wheel (+5)
(4)
銀黑 648 1.9" 輪框 (+5) (4)

230042BK



Black 236 1.9" wheel (+5)
(4)
黑色 236 1.9" 輪框 (+5) (4)

230042FS



Flat silver 236 1.9" wheel (+5)
(4)
消光銀 236 1.9" 輪框 (+5) (4)

230042SBK



Silver black 236 1.9" wheel (+5)
(4)
銀黑 236 1.9" 輪框 (+5) (4)

230032BKF



Black flat 60D 1.9" crawler wheel
(+5) (4)
黑色消光 60D 1.9" 攀岩框 (+5) (4)

230032FS



Flat silver 60D 1.9" crawler wheel
(+5) (4)
消光銀 60D 1.9" 攀岩框 (+5) (4)

230031BKF



Black flat 58H 1.9" crawler wheel
(+5) (4)
黑色消光 58H 1.9" 攀岩框 (+5) (4)

230031FS



Flat silver 58H 1.9" crawler wheel
(+5) (4)
消光銀 58H 1.9" 攀岩框 (+5) (4)

210557BK



CMX Alum. knuckle (black)
CMX 鋁合金轉向座 (黑)

210542BK



CMX Alum. crossmember A D
CMX 鋁合金橫樑 A D

210543BK



CMX Alum. crossmember B
CMX 鋁合金橫樑 B

210544BK



CMX Alum. crossmember C
CMX 鋁合金橫樑 C

4X4
OFF ROAD

More details, please refer to MST website.
更多詳細內容請上官網

WWW.RC-MST.COM